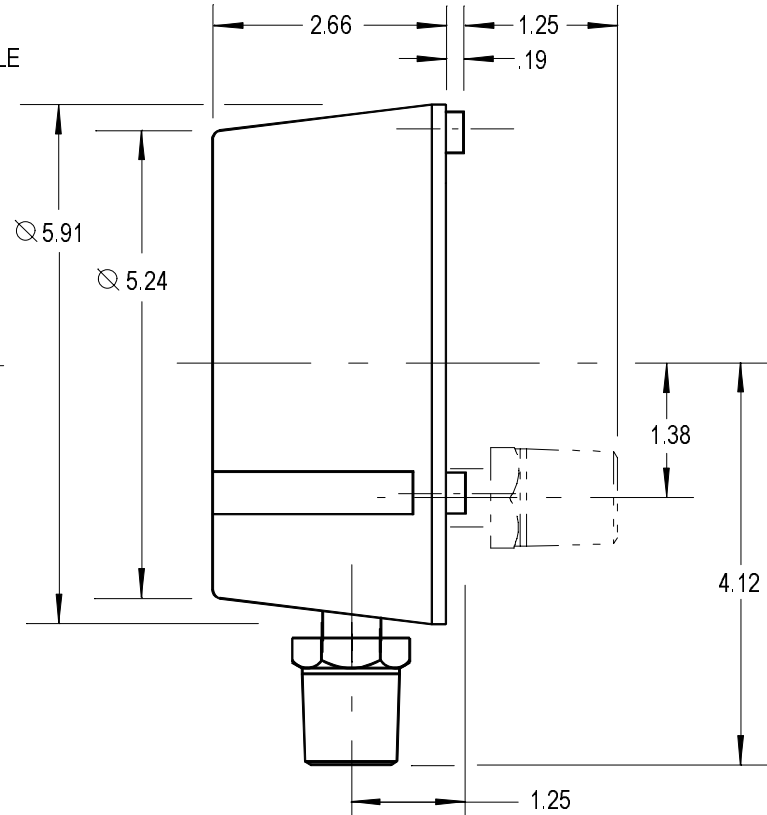
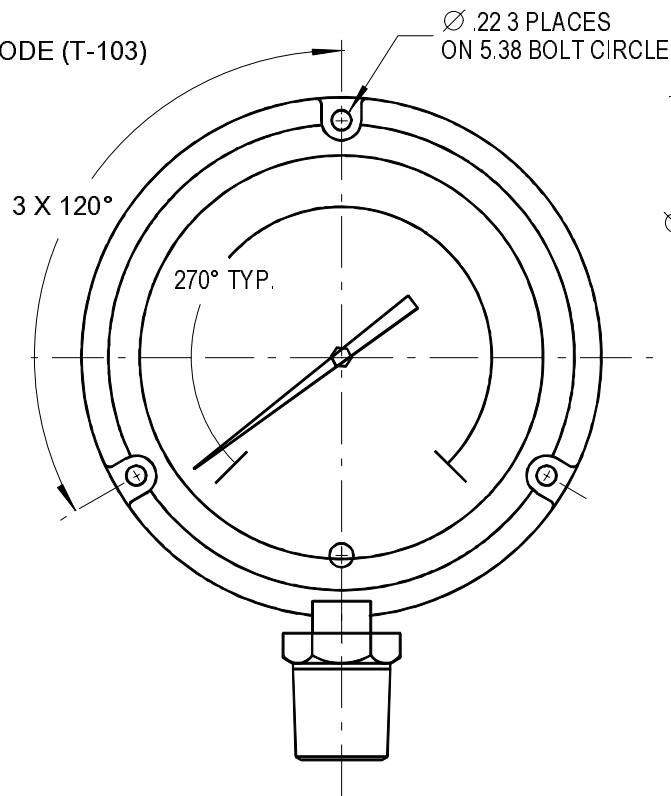


NOTES:

REF. BUL. 100 & T-103 FOR THE FOLLOWING:

- b - ACCURACY CODE
- e - POINTER TYPE
- f - DIAL TRIM
- gg - PRESSURE RANGE CODE (T-103)
- h - CASE COLOR
- i - FITTING LOCATION
- j - FITTING TYPE
- k - OPTIONS



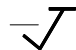
REVISIONS			
REV	DESCRIPTION	DATE	APPROVED

UNLESS OTHERWISE SPECIFIED
DIMENSIONS ARE IN INCHES

ANGULAR		± 0° 30'
LINEAR	.XX	± .030
	.XXX	± .015
FRACTIONAL		± 1/16

CORNER AND FILLET RAD. .005-.015
REMOVE ALL BURRS

DIAMETERS ON SAME C/L
RUNOUT WITHIN _____ FIR

 SURFACE ROUGHNESS
USAS B46.1

MATERIAL:

CASE - ABS OR GFN
FITTING - 316 CRES
COIL - INCONEL X-750

FINISH:

CONTRACT NO.

		DATE
PREP BY	REH	5/22/2007
CHECK		
PROJ ENGR		

USED ON:
INDUSTRIAL GAUGES

FILE NAME:
1b1Tefgghij

PERMA-CAL INDUSTRIES, INC.

TURRET GAUGE, 4 1/2"

SIZE	CODE IDENT NO.	DRAWING NO.	REV
A	59018	1b1Tefgghij-k	N/C
SCALE	WEIGHT	SHEET	OF
1 : 2	.95 lbs nom	1	1