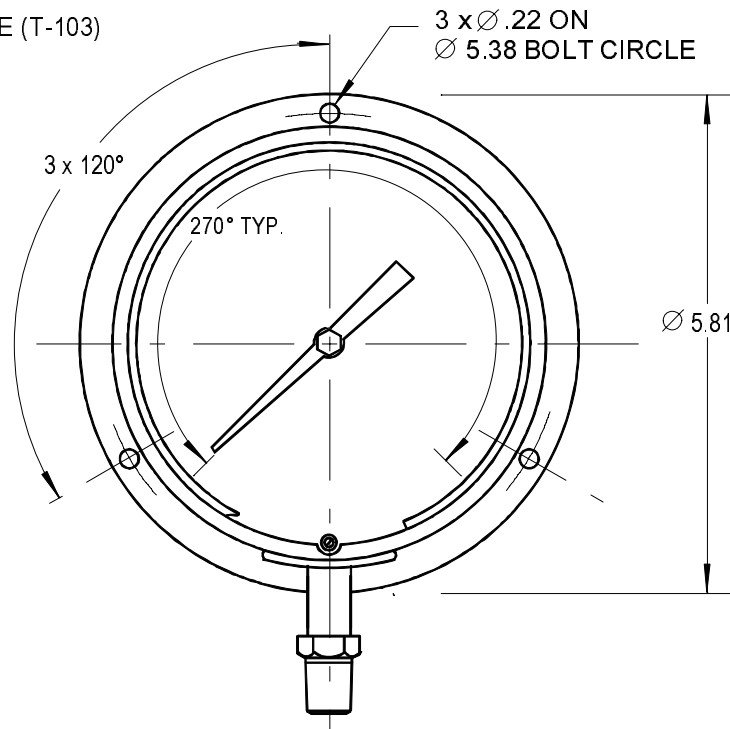


NOTES:
REF. BUL. 100 & T-103 FOR THE FOLLOWING:

- b - ACCURACY CODE
- e - POINTER TYPE
- f - DIAL TRIM
- gg - PRESSURE RANGE CODE (T-103)
- h - CASE COLOR
- i - FITTING LOCATION
- j - FITTING TYPE
- k - ADDITIONAL OPTIONS



REVISIONS				
ZONE	REV	DESCRIPTION	DATE	APPROVED

UNLESS OTHERWISE SPECIFIED DIMENSIONS ARE IN INCHES		MATERIAL: ALUMINUM		CONTRACT NO.		PERMA-CAL INDUSTRIES, INC.			
ANGULAR ± 1° LINEAR .XX ± .030 .XXX ± .015 FRACTIONAL ± 1/16		FINISH: POWDER COAT		DATE 6/11/2007					
DIAMETERS ON SAME C/L RUNOUT WITHIN <u>.016</u> FIR		USED ON: INDUSTRIAL / MIL-G GAUGES		FILE NAME: 1b1Refgghij-Z		SIZE A	CODE IDENT NO. 59018	DRAWING NO. 1b1Refgghij-Zk	REV N/C
✓ SURFACE ROUGHNESS USAS B46.1						SCALE NONE	WEIGHT	SHEET 1 OF 1	