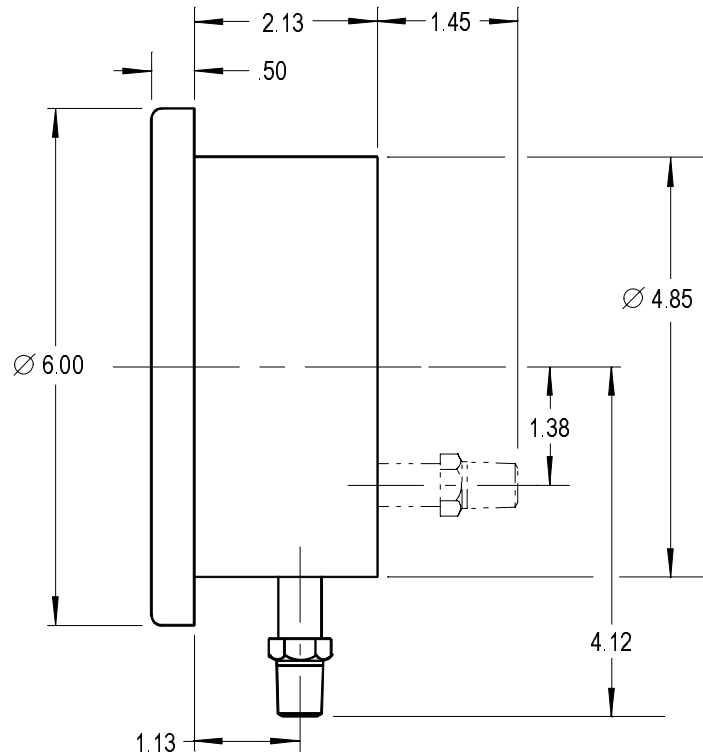
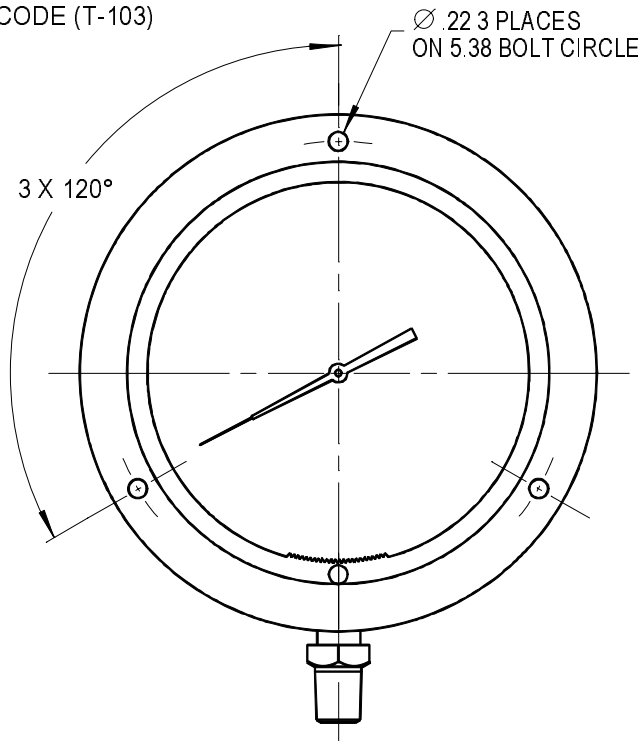


NOTES:  
REF. BUL. 100 & T-103 FOR THE FOLLOWING:

- b - ACCURACY CODE
- e - POINTER TYPE
- f - DIAL TRIM
- gg - PRESSURE RANGE CODE (T-103)
- h - CASE COLOR
- i - FITTING LOCATION
- j - FITTING TYPE
- k - OPTIONS



REVISIONS			
REV	DESCRIPTION	DATE	APPROVED

UNLESS OTHERWISE SPECIFIED DIMENSIONS ARE IN INCHES		MATERIAL:  ABS or EQUAL		CONTRACT NO.		<b>PERMA-CAL INDUSTRIES, INC.</b>					
ANGULAR ± 0° 30'		FINISH:		PREP BY	AMJ					DATE	7/18/2007
LINEAR .XX ± .03				CHECK							
FRACTIONAL .XXX ± .015				PROJ ENGR	REH	5/21/2007					
CORNER AND FILLET RAD. .005-.015 REMOVE ALL BURRS		USED ON: INDUSTRIAL GAUGES		SIZE	A	CODE IDENT NO.	59018	DRAWING NO.	1b1Fefggghij-k	REV	N/C
DIAMETERS ON SAME C/L RUNOUT WITHIN _____ FIR		FILE NAME: 1b1Fefggghij		SCALE	1 : 2	WEIGHT	1.1 lbs nom	SHEET	1	OF	1
✓ SURFACE ROUGHNESS USAS B46.1											